

AIB SERIES

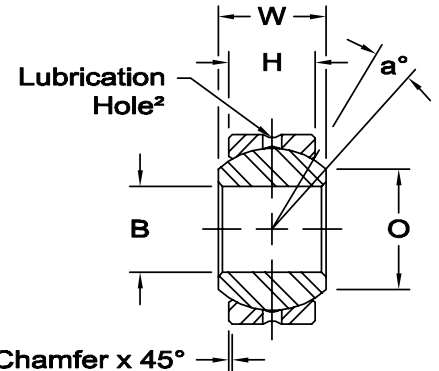
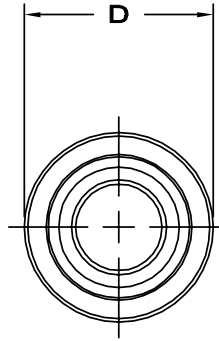
Spherical Bearings (PTFE Liners Available)¹



Race - Alloy steel, heat treated, I.D. protective coated for corrosion resistance, oil coated.

Ball - Alloy steel, heat treated, hard chrome plated.

Notes - All sizes available with studs upon request.



M Chamfer x 45°

*Bore Tolerance on these items is as follows -
INCH: +.0035, -.0005; METRIC: +.089, -.013

**Check for availability

¹ PTFE Liners use suffix T Ex: AIB-6T

² PTFE Lined parts have no lubrication groove in race.
Hole manufactures option.

BEARING NO.	DIMENSIONS IN INCHES							a° Misalign. Angle	Radial Static Limit Load Capacity Lbs.	Approx. Brg. Wt. Lbs.
	B + .0015 - .0005	D + .0000 - .0007	H ± .005	W + .000 - .005	O Flat Dia. Ref.	M Chamfer Ref.	Ball Dia. Ref.			
** AIB-2	.1250	.4062	.187	.250	.187	.025	.312	17	4,110	.02
AIB-3	.1900	.5312	.250	.312	.307	.020	.437	10.5	6,555	.02
AIB-4	.2500	.6094	.281	.375	.331	.020	.500	14.5	8,430	.02
AIB-5	.3125	.7500	.344	.437	.448	.020	.625	11	12,900	.04
AIB-6	.3750	.8437	.406	.500	.516	.020	.719	9.5	17,516	.06
AIB-7	.4375	1.0000	.437	.562	.587	.020	.812	11	21,291	.08
AIB-8	.5000	1.0937	.500	.625	.699	.020	.937	9.5	28,110	.11
AIB-10	.6250	1.3125	.562	.750	.839	.030	1.125	12	37,935	.17
AIB-12	.7500	1.5000	.687	.875	.978	.030	1.312	10	48,672	.25
AIB-14	.8750	1.6250	.750	.875	1.061	.035	1.375	6	58,653	.35
* AIB-16	1.0000	2.1250	1.000	1.375	1.275	.060	1.875	15	90,000	.79

BEARING NO.	DIMENSIONS IN MILLIMETERS							a° Misalign. Angle	Radial Static Limit Load Capacity Newtons	Approx. Brg. Wt. Grams
	B + .038 - .013	D + .000 - .013	H ± .13	W + .00 - .13	O Flat Dia. Ref.	M Chamfer Ref.	Ball Dia. Ref.			
** AIB-2	3.175	10.31	4.74	6.35	4.74	.63	7.92	17	18,281	7
AIB-3	4.826	13.49	6.35	7.92	7.79	.5	11.10	10.5	29,157	7
AIB-4	6.350	15.47	7.13	9.52	8.40	.5	12.70	14.5	37,497	10
AIB-5	7.938	19.05	8.73	11.10	11.37	.5	15.87	11	57,379	18
AIB-6	9.525	21.43	10.31	12.70	13.10	.5	18.26	9.5	77,911	27
AIB-7	11.113	25.40	11.10	14.27	14.91	.5	20.62	11	94,702	36
AIB-8	12.700	27.78	12.70	15.87	17.75	.5	23.80	9.5	125,033	50
AIB-10	15.875	33.33	14.27	19.05	21.31	.76	28.57	12	168,735	75
AIB-12	19.050	38.10	17.45	22.23	24.84	.76	33.32	10	216,493	114
AIB-14	22.225	41.28	19.05	22.23	26.95	.89	34.93	6	260,889	159
* AIB-16	25.400	53.97	25.40	34.92	32.38	1.52	47.62	15	400,320	358

Studs available per notes and comments, page 78
For suggested housing bores, see page 112

www.aurorabearing.com • Fax 630-859-0971